

Model: Multi



Product inform.

dated 08/2022



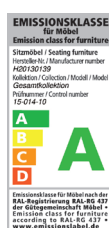
3-seater with 2 armrests + 2-seater with 2 armrests + 1-seater with 2 armrests



3-seater with 2 armrests + 2,5-seater with 2 armrests + 1-seater with 2 armrests



3-seater with 2 armrests + 2-seater with 2 armrests



www.blauer-engel.de/uz148



Model: Multi

Checklist

So you won't forget any of our choices...

Please use this checklist in order to discuss all options with your customer.

An absolute must

The following options must be considered for this model (please always mention with your order):

Seat design

Seat height

Back height

Armrests

Feet

Seam variant

Functions

Have you explained to your customer the advantages of the following functions?

Single seat adjustment

Move function

Accessories

Have you informed your customers about the selection of our accessories?

Stool

Stool bench

Cushion

Headrest

Model: Multi



Product and ordering information

Frame: Load-bearing parts of the frame made of solid wood and wood materials, surfaces lined with padded cardboard.

Seat: Spring system with permanently elastic steel sinuous springs and an upper-side cover.

Soft: Seat made of PUR foam (mind. RG 35), structured in layers harmonised in different thicknesses and hardnesses. Cover made of cotton wool fleece.
(for illustration see „construction, ordering information and cross sections“)



Spring core: Spring core seat made of drawn spring steel wire (except stool). Seat covered with textile fleece, PUR foam (min. RG 35) and cotton wool fleece.
(for illustration see „Ordering informations and Cross sections“)



Back: Firmly marked back cushions with PUR foam (min. RG 25) and a cover of cotton wool fleece. The back tension parts are covered in genuine fabric, available in leather at an extra charge.
You can choose between the high and low back.



Upholstery: Soft, casual upholstery structure, in which a model-related or design-related wave formation of the covers, as well as seat imprints, are typical for the product. The upholstery will adapt to the body shape or the seat firmness will slightly decrease. Minor differences in the seat firmness in the case of add-on assemblies are due to the design and are therefore no reason for complaint.

Dimensions:
Total height low back - low seat height: **85 cm**
Total height low back - high seat height: **88 cm**
Total height high back - low seat height: **100 cm**
Total height high back - high seat height: **103 cm**
Depth: **89 cm**
Seat height low / high: **44 / 47 cm**
Seat depth: **53 cm**

Model: Multi

Product and ordering information

Miscellaneous: All materials used meet the requirements of the DGM according to RAL GZ 430. The appearance of the stitching may vary depending on the fabric, leather and artificial leather used.

The definition of quilted mats and cushions depend on the design and structure.

The appearance of decorative, fell and double seams may vary depending on the fabric, leather and artificial leather used.

Felled seam: the thread colour is adapted to the respective cover material and its colour. All backrest tensioning parts are supplied as standard in their respective original covers.

Available in leather for a surcharge. Material-related information can be found in our fabric and leather flaps on the back with the individual fabric and leather qualities.

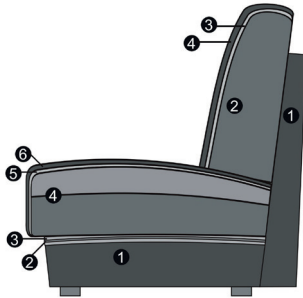
All dimensions stated in the pricelist are approximate dimensions in cm, determined according to usual measuring method (see RAL-GZ 430) and in unused new condition. Please note that in case of very light upholstery especially the seat height and seat depth can be discerned during the course of use to the dimensions mentioned. We reserve the right to make changes in shape, colour and design within the scope of technical progress.

Please always order from left to right as standing in front of the suite!

Model: Multi

cross sections and ordering informations

Seat: Soft / Back: Soft



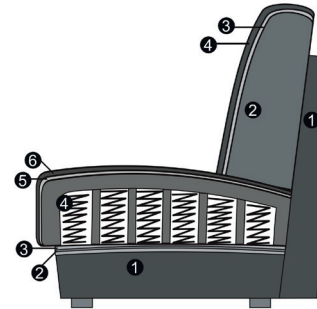
Seat

1. frame
2. zigzag springs
3. zigzag spring cover
4. sandwich structure (fixed marked seat)
5. cotton wadding cover
6. cover material

Back

1. frame
2. foam (fix marked back cushion)
3. cotton wadding cover
4. cover material

Seat: Spring core / Back: Soft



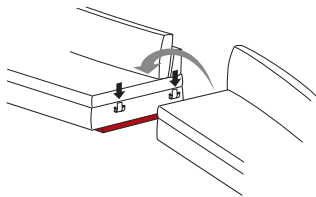
Seat

1. frame
2. zigzag springs
3. zigzag spring cover
4. spring core (fixed marked seat)
5. cotton wadding cover
6. cover material

Back

1. frame
2. foam (fix marked back cushion)
3. cotton wadding cover
4. cover material

Universal support leg



One element can be turned into a basic element with the universal support leg. Attention! Only possible for elements without function and an armrest. The universal support leg is available at an extra charge!

Model: Multi



Armrest selection

Please ALWAYS state the desired armrest, a mix of armrests is not possible!



Armrest A



Armrest B



Armrest C



Armrest D

Notes armrests:

armrest A:

Placing width ap. 16 cm, total width ap. 21 cm (lies ap. 5 cm on the seat)

armrest B:

Placing width ap. 13 cm.

Please take into account that the total depth changes from 89 cm to 93 cm when armrest B is selected due to the overhang of the armrest!

armrest C:

Placing width ap. 18 cm, total width ap. 25 cm (lies ap. 7 cm on the seat)

armrest D:

Placing width ap. 17 cm



Armrest J



Armrest K
(foldable)



Armrest L
(foldable)

Notes armrests:

armrest J:

Placing width ap. 19 cm, total width ap. 23 cm (lies ap. 4 cm on the seat)

armrest K:

Placing width ap. 19-24 cm, total width ap. 23-25 cm (lies ap. 4 cm on the seat)

Foldable armrests available at surcharge!

armrest L:

Placing width ap. 18-24 cm, total width ap. 25-28 cm (lies ap. 7 cm on the seat)

Foldable armrests available at surcharge!

Model: Multi



Foot and seam selection

Due to the design, the width and size of the feet can vary per type!



004

Metal leg round



043

Metal leg square



042

Wooden leg
trapezium shaped



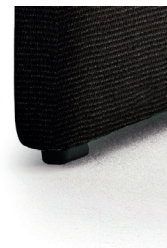
006

Metal coated
wooden plate
(matt)



026

Wooden plate



Glider

Notes feet:

004, 043 or 042:

Foot selection under armrest C and L

006 or 026:

Foot selection under armrest B and D

Glider:

Foot selection under armrest A, J, K and stool

Wooden leg colour:

Please refer to the wood sample card for the leg colours (with special colour oiled oak)!

Wooden leg oiled oak:

Attention! We charge a surcharge for the wooden leg oiled oak!

Please note that other foot numbers can be confirmed in the order confirmations, for example for longchairs, corner elements and stools.



Standard seam

Contrast seam

Seam selection:

The standard cover seam is adapted to the respective cover material and its colour.

The contrast seam is set off in the colour beige.

Contrast stitching is not possible on the following covers due to the nature of the fabrics:

Cosmopolitan, Craft, Easy Care, Free, Famous, Picasso, Prime, Trend and Velvet.

For all other fabrics and leather qualities, a contrasting seam can be ordered optionally at a surcharge!

It is absolutely necessary to state with contrast stitching or without contrast stitching on your order!

Model: Multi

Back heights



low back



high back

Back heights:

You have the choice between the low and high back as shown. With the low back, you have the option of using the variable insertable headrest with all elements.

Model: Multi



Functions

Single seat extension:

With the single seat extension, you can adjust the seat depth separately for each seat. With light body pressure, the seat surface can be pushed forward. There are several positions at which the seat surface can engage - choose the position that is most comfortable for you. The backrest remains straight and nothing changes in the surrounding segments either. One piece of furniture for all was yesterday - individual sitting is today!
Total seat depth: 53 cm - 63 cm

Move function:

With the Move function, you push the seat forward by applying slight body pressure to increase the seat depth. At the same time, the backrest tilts to a comfortable, pleasant relaxation position. You won't want to get up again.
Total seat depth: 53 cm - 59 cm



Single seat extension



Move function

Model: Multi



All articles at a glance
(without types with function and accessories)

Single elements with 2 armrests					
3-seater XL with 2 armrests	3-seater with 2 armrests	2,5-seater with 2 armrests	2-seater with 2 armrests	1-seater with 2 armrests	
180 cm + 2 AL	160 cm + 2 AL	140 cm + 2 AL	120 cm + 2 AL	60 cm + 2 AL	

Single elements with armrest left / right					
3-seater XL with armrest left / right	3-seater with armrest left / right	2,5-seater with armrest left / right	2-seater with armrest left / right		
180 cm + AL	160 cm + AL	140 cm + AL	120 cm + AL		

Basic elements					
corn. elem. w. 1-seat. end elem. le. / ri.	angular corner large				
89 x 215 cm	98 x 98 cm				

Model: Multi

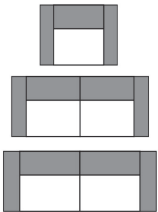

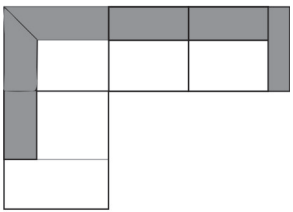
Combinations

Please note that for technical reasons each element with an armrest must always be combined with a basic element (e.g. longchair, corner element, corner, ...).

Elements with only one or without armrests cannot be placed individually or combined with each other.

One element can become a basic element with the help of a universal support leg. Attention! Only possible for elements without function and an armrest.

All dimensions given are without armrest dimensions. Please always add this after selecting the armrest!

Dimension (ap. cm) Height 85 / 88 100 / 103 Depth 89 Seat height 44 / 47 Seat depth 53			
item No.	87	86	590 (Abb.) / 591 (spiegelbildl.)
Dimensions	215 x 229 cm + AL		
	3-seater with 2 armrests + 2-seater with 2 armrests + 1-seater with 2 armrests	3-seater with 2 armrests + 2-seater with 2 armrests	corner element with 1-seater end element left - 2,5-seater with armrest right
Prices in EUR			
price group 2	-	-	-
price group 3	-	-	-
price group 4	-	-	-
price group B	-	-	-
price group C	-	-	-
price group L	-	-	-
price group J	-	-	-

Surcharges

Model: Multi

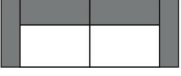


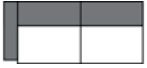
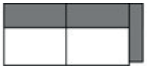
Single elements

Please note that for technical reasons each element with an armrest must always be combined with a basic element (e.g. longchair, corner element, corner, ...).

Elements with only one or without armrests cannot be placed individually or combined with each other.

One element can become a basic element with the help of a universal support leg. Attention! Only possible for elements without function and an armrest.

All dimensions given are without armrest dimensions. Please always add this after selecting the armrest!

Dimension (ap. cm) Height 85 / 88 100 / 103 Depth 89 Seat height 44 / 47 Seat depth 53				 
item No.	3322	3362	3326	3321 / 3323
Dimensions	180 cm + 2 AL	180 cm + 2 AL	180 cm + 2 AL	180 cm + AL
	3-seater XL with 2 armrests	3-seater XL with 2 armrests with single seat extension	3-seater XL with 2 armrests with move function	3-seater XL with armrest left / right
Prices in EUR				
price group 2	-	-	-	-
price group 3	-	-	-	-
price group 4	-	-	-	-
price group B	-	-	-	-
price group C	-	-	-	-
price group L	-	-	-	-
price group J	-	-	-	-

Surcharges

Model: Multi



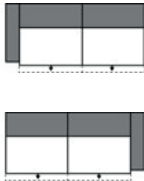
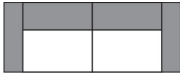
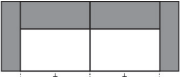
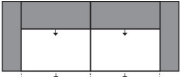
Single elements

Please note that for technical reasons each element with an armrest must always be combined with a basic element (e.g. longchair, corner element, corner, ...).

Elements with only one or without armrests cannot be placed individually or combined with each other.

One element can become a basic element with the help of a universal support leg. Attention! Only possible for elements without function and an armrest.

All dimensions given are without armrest dimensions. Please always add this after selecting the armrest!

Dimension (ap. cm) Height 85 / 88 100 / 103 Depth 89 Seat height 44 / 47 Seat depth 53				
item No.	3361 / 3363	3002	3162	3342
Dimensions	180 cm + AL	160 cm + 2 AL	160 cm + 2 AL	160 cm + 2 AL
	3-seater XL with armrest left / right with single seat extension	3-seater with 2 armrests	3-seater with 2 armrests with single seat extension	3-seater with 2 armrests with move function
Prices in EUR				

price group 2	-	-	-	-
price group 3	-	-	-	-
price group 4	-	-	-	-
price group B	-	-	-	-
price group C	-	-	-	-
price group L	-	-	-	-
price group J	-	-	-	-

Surcharges

Model: Multi

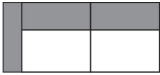

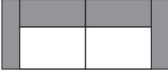
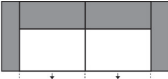
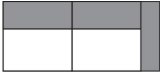
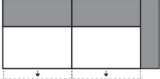
Single elements

Please note that for technical reasons each element with an armrest must always be combined with a basic element (e.g. longchair, corner element, corner, ...).

Elements with only one or without armrests cannot be placed individually or combined with each other.

One element can become a basic element with the help of a universal support leg. Attention! Only possible for elements without function and an armrest.

All dimensions given are without armrest dimensions. Please always add this after selecting the armrest!

Dimension (ap. cm) Height 85 / 88 100 / 103 Depth 89 Seat height 44 / 47 Seat depth 53				
				
item No.	3001 / 3003	3161 / 3163	2502	2562
Dimensions	160 cm + AL	160 cm + AL	140 cm + 2 AL	140 cm + 2 AL
	3-seater with armrest left / right	3-seater with armrest left / right with single seat extension	2,5-seater with 2 armrests	2,5-seater with 2 armrests with single seat extension
Prices in EUR				

price group 2	-	-	-	-
price group 3	-	-	-	-
price group 4	-	-	-	-
price group B	-	-	-	-
price group C	-	-	-	-
price group L	-	-	-	-
price group J	-	-	-	-

Surcharges

Model: Multi



Single elements

Please note that for technical reasons each element with an armrest must always be combined with a basic element (e.g. longchair, corner element, corner, ...).

Elements with only one or without armrests cannot be placed individually or combined with each other.

One element can become a basic element with the help of a universal support leg. Attention! Only possible for elements without function and an armrest.

All dimensions given are without armrest dimensions. Please always add this after selecting the armrest!

Dimension (ap. cm) Height 85 / 88 100 / 103 Depth 89 Seat height 44 / 47 Seat depth 53				
item No.	2642	2501 / 2503	2561 / 2563	2002
Dimensions	140 cm + 2 AL	140 cm + AL	140 cm + AL	120 cm + 2 AL
	2,5-seater with 2 armrests with move function	2,5-seater with armrest left / right	2,5-seater with armrest left / right with single seat extension	2-seater with 2 armrests
Prices in EUR				back real
price group 2	-	-	-	-
price group 3	-	-	-	-
price group 4	-	-	-	-
price group B	-	-	-	-
price group C	-	-	-	-
price group L	-	-	-	-
price group J	-	-	-	-

Surcharges

Model: Multi



Single elements

Please note that for technical reasons each element with an armrest must always be combined with a basic element (e.g. longchair, corner element, corner, ...).

Elements with only one or without armrests cannot be placed individually or combined with each other.

One element can become a basic element with the help of a universal support leg. Attention! Only possible for elements without function and an armrest.

All dimensions given are without armrest dimensions. Please always add this after selecting the armrest!

Dimension (ap. cm) Height 85 / 88 100 / 103 Depth 89 Seat height 44 / 47 Seat depth 53				
item No.	2062	2142	2001 / 2003	2061 / 2063
Dimensions	120 cm + 2 AL	120 cm + 2 AL	120 cm + AL	120 cm + AL
	2-seater with 2 armrests with single seat extension	2-seater with 2 armrests with move function	2-seater with armrest left / right	2-seater with armrest left / right with single seat extension
Prices in EUR				

price group 2	-	-	-	-
price group 3	-	-	-	-
price group 4	-	-	-	-
price group B	-	-	-	-
price group C	-	-	-	-
price group L	-	-	-	-
price group J	-	-	-	-

Surcharges

Model: Multi



Single elements

Please note that for technical reasons each element with an armrest must always be combined with a basic element (e.g. longchair, corner element, corner, ...).

Elements with only one or without armrests cannot be placed individually or combined with each other.

One element can become a basic element with the help of a universal support leg. Attention! Only possible for elements without function and an armrest.

All dimensions given are without armrest dimensions. Please always add this after selecting the armrest!

Dimension (ap. cm) Height 85 / 88 100 / 103 Depth 89 Seat height 44 / 47 Seat depth 53				
item No.	1002	1262	1082	
Dimensions	60 cm + 2 AL	60 cm + 2 AL	60 cm + 2 AL	
	1-seater with 2 armrests	1-seater with 2 armrests with single seat extension	1-seater with 2 armrests with move function	
Prices in EUR	back real	back real	back real	

price group 2	-	-	-	
price group 3	-	-	-	
price group 4	-	-	-	
price group B	-	-	-	
price group C	-	-	-	
price group L	-	-	-	
price group J	-	-	-	

Surcharges

Model: Multi



Basic elements

Please note that for technical reasons each element with an armrest must always be combined with a basic element (e.g. longchair, corner element, corner, ...).

Elements with only one or without armrests cannot be placed individually or combined with each other.

One element can become a basic element with the help of a universal support leg. Attention! Only possible for elements without function and an armrest.





When planning, please bear in mind that the angular corner and the corner + 1-seater end element are built close to the floor for design reasons. All

Dimension (ap. cm) Height 85 / 88 100 / 103 Depth 89 Seat height 44 / 47 Seat depth 53				
item No.	6011 / 6013 *	8030*		
Dimensions	89 x 215 cm	98 x 98 cm		
	corner element with 1-seater with end element left / right	angular corner large		
Prices in EUR	back real	back real		
price group 2	-	-		
price group 3	-	-		
price group 4	-	-		
price group B	-	-		
price group C	-	-		
price group L	-	-		
price group J	-	-		

Surcharges

Model: Multi

Accessories




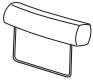
Dimension (ap. cm) Height 85 / 88 100 / 103 Depth 89 Seat height 44 / 47 Seat depth 53					
	item No.	9038	9060	9264	9009
	Dimensions	70 x 60 cm	90 x 60 cm	90 x 60 cm	40 x 40 cm
		stool	stool bench	stool bench with storage	cushion
	Prices in EUR	only available in Soft!	only available in Soft!	only available in Soft!	
price group 2	-	-	-	-	
price group 3	-	-	-	-	
price group 4	-	-	-	-	
price group B	-	-	-	-	
price group C	-	-	-	-	
price group L	-	-	-	-	
price group J	-	-	-	-	

Surcharges

Model: Multi



Accessories




Dimension (ap. cm) Height 85 / 88 100 / 103 Depth 89 Seat height 44 / 47 Seat depth 53				
item No.	9205	9002	9046	9190
Dimensions	50 x 50 cm	60 x 40 cm	38 x 8 x 48 cm	50 x 15 x 15 cm
	cushion	cushion	armrest cushion	headrest
Prices in EUR				variable pluggable

price group 2	-	-	-	-
price group 3	-	-	-	-
price group 4	-	-	-	-
price group B	-	-	-	-
price group C	-	-	-	-
price group L	-	-	-	-
price group J	-	-	-	-

Surcharges

Model: Multi

Accessories

Dimension (ap. cm) Height 85 / 88 100 / 103 Depth 89 Seat height 44 / 47 Seat depth 53				
item No.	7550	7552	7546	
Dimensions	45 x 55 cm	55 x 55 cm	75 x 75 cm	
	flutter cushion rectangular S	flutter cushion square S	flutter cushion square M	
Prices in EUR				
price group 2	-	-	-	
price group 3	-	-	-	
price group 4	-	-	-	
price group B	-	-	-	
price group C	-	-	-	
price group L	-	-	-	
price group J	-	-	-	

Surcharges

Model: Multi



Surcharges

Please Note:

The described types with function already include the surcharge listed here.

Only the surcharges for folding armrests and those listed directly under the types must be added.

	Back real in leather 3-seater	Back real in leather 2,5-seater	Single seat extension 3-/2,5-/2-seater	Single seat extension 1-seater
--	----------------------------------	------------------------------------	---	-----------------------------------

price group 2	-	-	-	-
price group 3	-	-	-	-
price group 4	-	-	-	-
price group B	-	-	-	-
price group C	-	-	-	-
price group L	-	-	-	-
price group J	-	-	-	-

	Move function 3-/2,5-/2-seater	Move function 1-seater	Per armrest K and L (foldable)	
--	-----------------------------------	---------------------------	-----------------------------------	--

price group 2	-	-	-	
price group 3	-	-	-	
price group 4	-	-	-	
price group B	-	-	-	
price group C	-	-	-	
price group L	-	-	-	
price group J	-	-	-	

Model: Multi



Deutsche Gütegemeinschaft Möbel & Emissionslabel

Are you demanding? That's fine - we are too!

Therefore, we attach great importance to durability, material quality, longevity, safety and health tolerance!

Because our furniture meets the high standards of the Gütegemeinschaft Möbel e.V., our entire product range is awarded the quality mark „Golden M“ and the highest possible emission class A.



Quality mark „Goldenes M“

Nearly 50 years of research, laboratory tests, field tests, comparisons and scientific exchange is behind the RAL quality mark „Goldenes M“.

- Tested quality according to quality and test regulations RAL-GZ 430
- Guaranteed safety through elaborate laboratory and functional tests
- Healthy living through strict limits for pollutants - sometimes more stringent than the law requires, which were determined in independent test laboratories

The „Goldenes M“ means for the furniture buyer: This is quality, you can rely on.



Emission label

An expert group of the Deutsche Gütegemeinschaft Möbel e.V. has developed in collaboration with leading test institutes such as TÜV Rheinland, the LGA Nuremberg and the ECO Institute an Emission label for furniture.

- The label gives the consumer information about pollutant emission and should protect him from health protect impairments
- The entire range is classified according to these guidelines
- The proof of classifications is based on compliance of the awarding basis with appropriate pollutant tests from neutral testing institutes based on the requirements of RAL-GZ 430 or the Blue Angel's.

Our products meet the highest emission class „A“, which gives us a clear conscience and you a maximum of safety with regards to the emission levels of your upholstery.

Model: Multi



blue angel and longlife

Are you demanding? That's fine - we are too!

Especially in the leather area, a responsible approach to the environment and health is very important for us.. Our leathers have been awarded the „Blue Angel“ because we specifically select upholstery leathers for our furniture that are harmless to health.

So that our customers can enjoy their leather furniture for a long time, we now offer the possibility to take out an additional 5-year service guarantee up to 4 weeks after purchasing the furniture.



www.blauer-engel.de/uz148

Blue Angel - environmentally friendly upholstery leather

The Blue Angel for low-emission upholstery leather signals that the excellent leathers minimize the environmental and health burdens from production over the entire daily use to recycling and disposal.

The following leather qualities are awarded the Blue Angel:

Dickleder
Soft-Line

The Blue Angel is the world's most successful eco-label with a brand awareness of 92%!



Longlife
by 3C Care



The Longlife 5-Year Service Warranty

With the right cleaning and care products you keep the value of your upholstered furniture and enjoy it for a long time. As part of this 5-year service guarantee, you will receive professional phone support, free special products and free support.

The warranty can be completed for the following leather qualities:

Dickleder
Mercury

The Longlife 5-Year Service Warranty provides security for a upholstery leather that is particularly durable and easy to care for!

For more information please see www.3c-care.de

Model: Multi



OEKO-TEX® STANDARD 100 + klimaneutraler
Hersteller



(example label)

The award offers you the following advantages:

- STANDARD 100 by OEKO-TEX® is one of the world's most renowned labels for textiles tested for harmful substances. It stands for customer confidence and high product safety.
- The testing is carried out by independent OEKO-TEX® institutes on the basis of a comprehensive OEKO-TEX® criteria catalogue.
- The test procedure takes into account many substances, both regulated and non-regulated, that could be harmful to human health.
- In many cases, the limit values set for the STANDARD 100 go beyond national and international standards.
- The catalogue of criteria is updated at least once a year and expanded to include new scientific findings or legal requirements.



We are a climate-neutral furniture manufacturer (on balance sheet and through CO₂ certificates)

We can proudly say that we have been awarded as a climate-neutral manufacturer by the DGM. Our actions are always oriented towards the careful use of resources in order to protect and preserve the livelihoods of people, animals and plants. For 3C, sustainability is not just an advertising promise - the development of sustainable products is a matter of course for us.

Model: Multi

EU guidelines

WEEE-Reg.-Nr. DE 34953752

Informationspflichten gemäß §18 Abs. 2 Elektro- und Elektronikgerätegesetz:

<https://www.bmu.de/themen/wasser-abfall-boden/abfallwirtschaft/statistiken/elektro-und-elektronikaltgeraete/>